



marantz[®] Wide Conversion Lens System
LN-11S1A

User Guide




CAUTION


RISK OF ELECTRIC SHOCK

DO NOT OPEN



**CAUTION: TO REDUCE THE RISK OF ELECTRIC SHOCK,
DO NOT REMOVE COVER (OR BACK)
NO USER-SERVICEABLE PARTS INSIDE
REFER SERVICING TO QUALIFIED SERVICE PERSONNEL**

 The lightning flash with arrowhead symbol within an equilateral triangle is intended to alert the user to the presence of uninsulated "dangerous voltage" within the product's enclosure that may be of sufficient magnitude to constitute a risk of electric shock to persons.

 The exclamation point within an equilateral triangle is intended to alert the user to the presence of important operating and maintenance (servicing) instructions in the literature accompanying the product.

WARNING

**TO REDUCE THE RISK OF FIRE OR ELECTRIC SHOCK,
DO NOT EXPOSE THIS PRODUCT TO RAIN OR MOISTURE.**

**CAUTION: TO PREVENT ELECTRIC SHOCK, MATCH WIDE BLADE OF
PLUG TO WIDE SLOT, FULLY INSERT.**

**ATTENTION: POUR ÉVITER LES CHOC ÉLECTRIQUES, INTRODUIRE
LA LAME LA PLUS LARGE DE LA FICHE DANS LA BORNE
CORRESPONDANTE DE LA PRISE ET POUSSER JUSQU'AU FOND.**

NOTE:

This equipment has been tested and found to comply with the limits for a Class B digital device, pursuant to Part 15 of the FCC Rules. These limits are designed to provide reasonable protection against harmful interference in a residential installation. This equipment generates, uses and can radiate radio frequency energy and, if not installed and used in accordance with the instructions, may cause harmful interference to radio communications. However, there is no guarantee that interference will not occur in a particular installation. If this equipment does cause harmful interference to radio or television reception, which can be determined by turning the equipment off and on, the user is encouraged to try to correct the interference by one or more of the following measures:

- Reorient or relocate the receiving antenna.
- Increase the separation between the equipment and receiver.

- Connect the equipment into an outlet on a circuit different from that to which the receiver is connected.
- Consult the dealer or an experienced radio/TV technician for help.

NOTE:

Changes or modifications not expressly approved by the party responsible for compliance could void the user's authority to operate the equipment.

IMPORTANT SAFETY INSTRUCTIONS

READ BEFORE OPERATING EQUIPMENT

This product was designed and manufactured to meet strict quality and safety standards. There are, however, some installation and operation precautions which you should be particularly aware of.

1. Read these instructions.
2. Keep these instructions.
3. Heed all warnings.
4. Follow all instructions.
5. Do not use this apparatus near water.
6. Clean only with dry cloth.
7. Do not block any ventilation openings. Install in accordance with the manufacturer's instructions.
8. Do not install near any heat sources such as radiators, heat registers, stoves, or other apparatus (including amplifiers) that produce heat.
9. Do not defeat the safety purpose of the polarized or grounding-type plug. A polarized plug has two blades with one wider than the other. A grounding type plug has two blades and a third grounding prong. The wide blade or the third prong are provided for your safety. If the provided plug does not fit into your outlet, consult an electrician for replacement of the obsolete outlet.
10. Protect the power cord from being walked on or pinched particularly at plugs, convenience receptacles, and the point where they exit from the apparatus.
11. Only use attachments/accessories specified by the manufacturer.
12. Unplug this apparatus during lightning storms or when unused for long periods of time.
13. Refer all servicing to qualified service personnel. Servicing is required when the apparatus has been damaged in any way, such as power-supply cord or plug is damaged, liquid has been spilled or objects have fallen into the apparatus, the apparatus has been exposed to rain or moisture, does not operate normally, or has been dropped.

DECLARATION OF CONFORMITY

This device complies with Part 15 of the FCC rules. Operation is subject to the following conditions: (1) This device may not cause harmful interference, and (2) this device must accept any interference received, including interference that may cause undesired operation.

U.S. Responsible Party: Marantz America, Inc.
100 Corporate Drive,
Mahwah, NJ, 07430, U.S.A.
TEL: 201-762-6500

Type of Product: Wide Conversion Lens System
 Model: LN-11S1A

Additional Safety Information!

- Apparatus shall not be exposed to dripping or splashing and that no objects filled as vases, shall be placed on the apparatus.

WARNINGS

- Do not remove the cover from the equipment.
- Do not insert anything into the equipment through the ventilation holes.
- Do not handle the mains cord with wet hands.
- Do not cover the ventilation with any items such as tablecloths, newspapers, curtains, etc.
- No naked flame sources, such as lighted candles, should be placed on the equipment.
- No objects filled with liquids, such as vases, shall be placed on the equipment.
- The equipment shall be installed near the power supply so that the power supply is easily accessible.
- Make sure the AC power cord is firmly connected into the AC IN socket.

ENGLISH

WARRANTY

For warranty information, contact your local Marantz distributor.

RETAIN YOUR PURCHASE RECEIPT

Your purchase receipt is your permanent record of a valuable purchase. It should be kept in a safe place to be referred to as necessary for insurance purposes or when corresponding with Marantz.

IMPORTANT

When seeking warranty service, it is the responsibility of the consumer to establish proof and date of purchase. Your purchase receipt or invoice is adequate for such proof.

FOR U.K. ONLY

This undertaking is in addition to a consumer's statutory rights and does not affect those rights in any way.

FRANÇAIS

GARANTIE

Pour des informations sur la garantie, contacter le distributeur local Marantz.

CONSERVER L'ATTESTATION D'ACHAT

L'attestation d'achat est la preuve permanente d'un achat de valeur. La conserver en lieu sûr pour s'y reporter aux fins d'obtention d'une couverture d'assurance ou dans le cadre de correspondances avec Marantz.

IMPORTANT

Pour l'obtention d'un service couvert par la garantie, il incombe au client d'établir la preuve de l'achat et d'en corroborer la date. Le reçu ou la facture constituent des preuves suffisantes.

ESPAÑOL

GARANTIA

Para obtener información acerca de la garantía póngase en contacto con su distribuidor Marantz.

GUARDE SU RECIBO DE COMPRA

Su recibo de compra es su prueba permanente de haber adquirido un aparato de valor. Este recibo deberá guardarlo en un lugar seguro y utilizarlo como referencia cuando tenga que hacer uso del seguro o se ponga en contacto con Marantz.

IMPORTANTE

Cuando solicite el servicio otorgado por la garantía el usuario tiene la responsabilidad de demostrar cuándo efectuó la compra. En este caso, su recibo de compra será la prueba apropiada.

DEUTSCH

GARANTIE

Bei Garantiefragen wenden Sie sich bitte an Ihren Marantz-Händler.

HEBEN SIE IHRE QUITTING GUT AUF

Die Quittung dient Ihnen als bleibende Unterlage für Ihren wertvollen Einkauf. Das Aufbewahren der Quittung ist wichtig, da die darin enthaltenen Angaben für Versicherungszwecke oder bei Korrespondenz mit Marantz angeführt werden müssen.

WICHTIG!

Bei Garantiefragen muß der Kunde eine Kaufunterlage mit Kaufdatum vorlegen. Ihren Quittung oder Rechnung ist als Unterlage ausreichend.

ITALIANO

GARANZIA

L'apparecchio è coperto da una garanzia di buon funzionamento della durata di un anno, o del periodo previsto dalla legge, a partire dalla data di acquisto comprovata da un documento attestante il nominativo del Rivenditore e la data di vendita. La garanzia sarà prestata con la sostituzione o la riparazione gratuita delle parti difettose.

Non sono coperti da garanzia difetti derivanti da uso improprio, errata installazione, manutenzione effettuata da personale non autorizzato o, comunque, da circostanze che non possano riferirsi a difetti di funzionamento dell'apparecchio. Sono inoltre esclusi dalla garanzia gli interventi inerenti l'installazione e l'allacciamento agli impianti di alimentazione.

Gli apparecchi verranno riparati presso i nostri Centri di Assistenza Autorizzati. Le spese ed i rischi di trasporto sono a carico del cliente.

La casa costruttrice declina ogni responsabilità per danni diretti o indiretti provocati dalla inosservanza delle prescrizioni di installazione, uso e manutenzione dettagliate nel presente manuale o per guasti dovuti ad uso continuato a fini professionali.

CE MARKING



English

The LN-11S1A is in conformity with the EMC directive and low-voltage directive.



Français

Le LN-11S1A est conforme à la directive EMC et à la directive sur les basses tensions.



Español

El LN-11S1A está de acuerdo con las normas EMC y las relacionadas con baja tensión.



Deutsch

Das Modell LN-11S1A entspricht den EMC-Richtlinien und den Richtlinien für Niederspannungsgeräte.



Italiano

Il LN-11S1A è conforme alle direttive CEE ed a quelle per i bassi voltaggi.

English

WARNINGS

- Do not remove the cover from the equipment.
- Do not insert anything into the equipment through the ventilation holes.
- Do not handle the mains cord with wet hands.
- Do not cover the ventilation with any items such as tablecloths, newspapers, curtains, etc.
- No naked flame sources, such as lighted candles, should be placed on the equipment.
- No objects filled with liquids, such as vases, shall be placed on the equipment.
- The equipment shall be installed near the power supply so that the power supply is easily accessible.
- Make sure the AC power cord is firmly connected into the AC IN socket.

Français

AVERTISSEMENTS

- Ne pas essayer de retirer le boîtier de l'appareil.
- Ne rien insérer dans l'appareil par les orifices de ventilation.
- Ne pas manipuler le cordon d'alimentation avec les mains mouillées.
- Ne pas recouvrir les ouïes de ventilation avec un objet quelconque comme une nappe, un journal, un rideau, etc.
- Ne placer aucune source de flamme nue, comme une bougie allumée, sur l'appareil.
- Aucun objet rempli de liquide, un vase par exemple, ne doit être placé sur l'appareil.
- L'appareil sera installé près de la source d'alimentation, de sorte que cette dernière soit facilement accessible.
- Assurez-vous que le cordon d'alimentation secteur est fermement branché dans la prise AC IN.

Español

ADVERTENCIAS

- No extraiga la tapa del equipo.
- No introduzca nada en el interior del equipo a través de los orificios de ventilación.
- No maneje el cable de alimentación con las manos mojadas.
- No cubra la ventilación con objetos como manteles, periódicos, cortinas, etc.
- No deben colocarse sobre el equipo elementos con fuego, por ejemplo velas encendidas.
- No se deben colocar sobre el aparato recipientes que contengan líquidos, como por ejemplo jarrones.
- El equipo se instalará cerca de la fuente de alimentación de manera que resulte fácil acceder a ella.
- Asegúrese de que el cable de alimentación CA está bien conectado al enchufe AC IN.

Deutsch

WARNHINWEISE

- Die Abdeckung nicht vom Gerät abnehmen.
- Keine Gegenstände durch die Belüftungsschlitze stecken.
- Das Netzkabel nicht mit feuchten oder nassen Händen anfassen.
- Decken Sie die Lüftungsöffnungen nicht mit einem Tischtuch, einer Zeitung, einem Vorhang usw. ab.
- Es dürfen keine Gegenstände mit offener Flamme, wie etwa brennende Kerzen, auf dem Gerät aufgestellt werden.
- Auf das Gerät dürfen keine mit Flüssigkeiten gefüllte Behälter, wie etwa eine Vase, gestellt werden.
- Das Gerät sollte in der Nähe einer Netzsteckdose aufgestellt werden, damit es leicht an das Stromnetz angeschlossen werden kann.
- Vergewissern Sie sich, dass das Netzkabel sicher in die Buchse AC IN eingeführt ist.

Italiano

AVVERTENZE

- Non rimuovere il coperchio dell'apparecchio.
- Non introdurre oggetti all'interno dell'apparecchio attraverso i fori di ventilazione.
- Non toccare il cavo di alimentazione con le mani bagnate.
- Non coprire le fessure di ventilazione con tovaglie, giornali, tende od oggetti analoghi.
- Non posare sull'apparecchio sorgenti di fiamme scoperte quali candele accese.
- Non mettere sull'apparecchiatura alcun contenitore di liquido, come ad esempio dei vasi.
- L'apparecchio va installato in prossimità della fonte di alimentazione, in modo che quest'ultima sia facilmente accessibile.
- Verificare che il cavo di alimentazione c.a. sia collegato saldamente alla spina AC IN.

LN_080724U3N2

A NOTE ABOUT RECYCLING



This product's packaging materials are recyclable and can be reused. This product and the accessories packed together are the applicable product to the WEEE directive except batteries.

Please dispose of any materials in accordance with your local recycling regulations. When discarding the unit, comply with your local rules or regulations.

Batteries should never be thrown away or incinerated but disposed of in accordance with your local regulations concerning chemical wastes.

INTRODUCTION

ABOUT THIS USER'S GUIDE

Before mounting the LN-11S1A, be sure to thoroughly read the projector's user's guide and decide on the mounting location.

A Marantz ceiling mount kit, MOUNT20, is required if you will be using a Marantz VP11 or VP15 series projector suspended from the ceiling. Be sure to use an EXT10 to adjust the suspension height.

This User's Guide serves as a setup guide that describes how to assemble the MOUNT20 and EXT10, and mount the LN-11S1A.

For details on the space required for mounting, refer to the figure showing the movable range at the end of this guide.

IMPORTANT

Note:

The lens used in this product is a finely crafted, precision optical device. It may be scratched or even damaged from physical contact with objects of any type.

Such contact and/or improper handling must therefore be avoided. Please note before use that scratches caused by the user, whether intentional or accidental, and damage to the lens due to other external causes are outside the scope of the warrantee.

Do not connect the AC/DC adapter supplied with the anamorphic lens system to the lens slider or power outlet until a projector (VP-11/VP-15), anamorphic lens system (LN-11S1A), and bracket (MOUNT20/EXT10) are completely mounted.

For information on other connections, refer to the user's guide for the device that is to be connected to the LN-11S1A anamorphic lens system.

To avoid accidentally scratching the lens surface during mounting, handle the lens with the most careful attention.

The LN-11S1A lens slider uses a special motor and several types of gears. If water or foreign matter enters the LN-11S1A lens slider, damage to the equipment or fire may result. If water or foreign matter should enter the unit, immediately unplug the power cord of the AC adapter and contact our Customer Service Center.

If the LN-11S1A lens slider was moved by hands, it might cause failure. Do not move the lens slider by hands.

A Phillips-head screwdriver, hexagon wrench, and spanner are required in order to assemble the LN-11S1A, EXT10, and MOUNT20.

If you look into the lens during projection, light will enter your eyes, possibly resulting in eye pain and/or problems of vision.

During cleaning, unplug the power cord of the AC adapter from the power outlet. For safety, always unplug the power cord from the power outlet at times when the unit will not be used for an extended period, such as when you are out or on vacation.

BEFORE USE

NOTE ON ASSEMBLY

Securely attach the anamorphic lens, lens slider, and base plate using the provided metal screws.

NOTE ON MOUNTING

Even when attaching this unit to the projector, be sure to use the specified screws and to attach the unit securely. Also, the anamorphic lens moves left and right.

Take care that there are no obstacles within the range of motion of the lens.

Special skill and experience are required when mounting the projector and this unit to a ceiling. When mounting, please consult your dealer.

CONTENTS

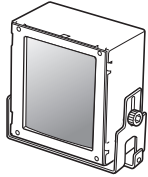
BEFORE USE	2
CHECKING THE UNIT AND SUPPLIED ACCESSORIES	2
NAMES OF PARTS	2
BASIC OPERATION	3
TURNING THE POWER ON	3
TURNING THE POWER OFF	3
CONTROLLING THE UNIT USING A TRIGGER INPUT SIGNAL.....	3
USING VP-11 OR VP-15 SERIES TRIG. 2 OUTPUT JACK.....	3
CONCERNING CONNECTORS AND CABLES	4
ADVANCED OPERATION	5
USING A PROGRAMMABLE REMOTE CONTROLLER	5
NOTES WHEN SIMULTANEOUSLY USING +12 V TRIGGER INPUT AND REMOTE CONTROLLER	5
FIXING THE ANAMORPHIC LENS POSITION.....	5
SETUP	5
SETUP PROCEDURE	6
EXT10 ASSEMBLY.....	6
PREPARING THE LN-11S1A.....	7
ASSEMBLING THE MOUNT20	7
MOUNTING THE LN-11S1A (ON THE CEILING).....	9
MOUNTING THE LN-11S1A (ON THE FLOOR).....	10
MOUNTING THE LN-11S1A LENS	10
CONNECTING THE LN-11S1A.....	10
ADJUSTING THE LN-11S1A LENS.....	11
TROUBLESHOOTING	12
OTHERS	12
PROJECTION DISTANCE CHART FOR VP-11 AND VP-15 PROJECTORS.....	12
SPECIFICATIONS & DIMENSIONS.....	13

BEFORE USE

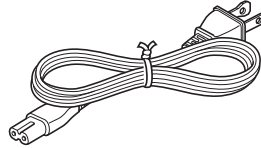
CHECKING THE UNIT AND SUPPLIED ACCESSORIES

Before use, check that the main unit and supplied accessories given below are assembled.

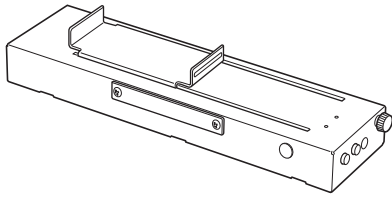
- Anamorphic lens x 1



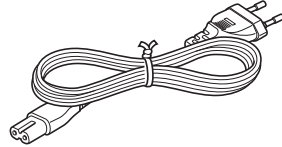
- AC power cord (for U.S.A.) x 1



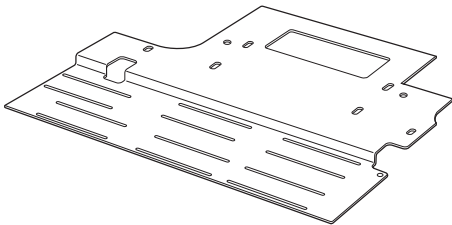
- Lens Slider x 1



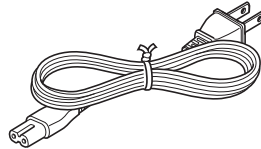
- AC power cord (for Europe) x 1



- Base plate x 1



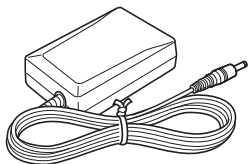
- AC power cord (for Japan) x 1



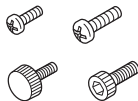
- Trigger cable



- AC/DC adapter x 1



- Mounting screws (machine screw (M3 x 8) x 6, hexagon head bolt (M8 x 10) x 2, decorative screws (M3 x 8) x 2)



- Washers x 2 (for 3-mm screws x 2, for 8-mm screws x 2)

- Spring washers x 2

- User's guide x 1

- Warranty card

U.S.A. x 1

Canada x 1

Japan x 1

NAMES OF PARTS

Focus adjustment screw (Page. 11)

Lens center mark

Height/tilt adjustment screw (Page. 10)

POWER ON indicator (Page. 3)

Trigger signal input indicator (Page. 3)

Anamorphic lens back/forth adjustment screw (Page. 10)

Anamorphic lens left/right adjustment screw (Page. 10)

+5 V DC jack (Page. 3)

Trigger signal input jack (Page. 3)

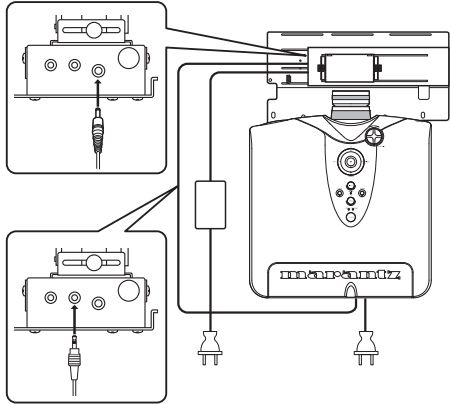
Trigger signal output jack (Page. 13)

Remote control receiver (Page. 4)

BASIC OPERATION

TURNING THE POWER ON

Plug the AC cable of the AC/DC adapter into a power outlet and plug the output plug into the DC jack of the unit. The unit's power turns on and the POWER ON indicator on the top panel lights blue.



TURNING THE POWER OFF

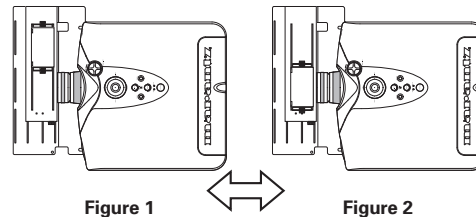
To turn the unit's power off, unplug the plug of the AC/DC adapter from the DC jack. The unit's power turns off and the POWER ON indicator goes out.

Note:

Do not turn the unit's power off while the anamorphic lens is in motion. Doing so may result in damage to equipment. If you will not be using the unit for an extended period of time, be sure to unplug the AC/DC adapter from the power outlet.

CONTROLLING THE UNIT USING A TRIGGER INPUT SIGNAL

When 12 V DC is input to the +12 V TRIGGER IN jack, the anamorphic lens moves to the operating position (Refer to Figure 2) and trigger signal input indicator on the top panel lights blue.
When 12 V DC is not input to the +12 V TRIGGER IN jack, the anamorphic lens moves to the opposite end from the operating position (Refer to Figure 1) and trigger signal input indicator goes out.

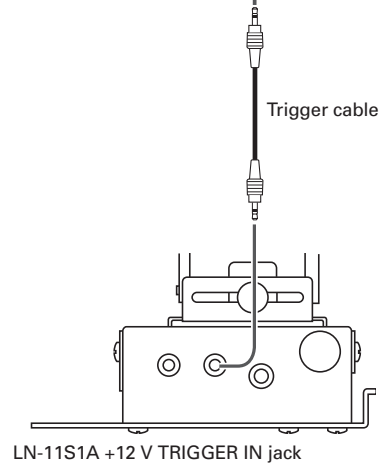
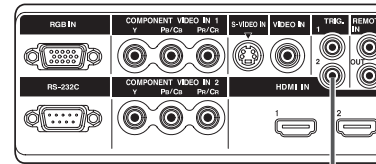


Note:

Do not move the LN-11S1A lens slider by hand. If the lens slider was moved by hands, it might cause failure.

USING VP-11 OR VP-15 SERIES TRIG. 2 OUTPUT JACK

USING VP-11 OR VP-15 SERIES TRIG. 2 OUTPUT JACK



Connect the TRIG. 2 output jack of VP-11 series or VP-15 series to the +12V TRIGGER IN jack of the lens slider.

Display the projector's setup menu and set Trigger 2 V-stretch to On and turn all other settings Off. (Refer to Figure 3)

Standard 1		
Picture Adjust	Auto Power Off	Disable
Fine Menu 1	Trigger 2 Full	Off
Fine Menu 2	Trigger 2 Normal	Off
Input Signal	Trigger 2 Zoom	Off
RGB/HD Adjust	Trigger 2 V-stretch	On
HDMI	Trigger 2 Through	Off
Display	Remote Control	
OSD/Blanking	Reset Lamp Life	
Config.	Reset All	

Figure 3

When V-stretch is set for the projector's aspect mode, 12 V DC is automatically output from the TRIG. 2 output jack and the anamorphic lens moves to the operating position. (Under the settings given above, 12 V DC is not output from the TRIG. 2 output jack in other aspect modes.)

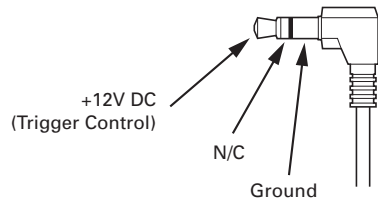
For example, set the projector as described above. If a movie having 2.35:1 cinemascope size is input from HDMI1 and viewed under "full" aspect mode, a black band will appear at the top and bottom of the screen. Now, change the aspect mode to V-stretch. The black bands at the top and bottom of the screen will disappear, and the movie will be displayed at a 16:9 aspect ratio that fills the screen. At the same time, 12 V DC is output from TRIG. 2 output jack, the anamorphic lens moves in front of the projector's lens (operating position), and you can view the movie at the correct aspect ratio of 2.35:1.

BASIC OPERATION

CONCERNING CONNECTORS AND CABLES

TRIGGER CONNECTOR

The +12 TRIGGER IN/OUT jacks on the LN-11S1A are used to input/output signals that move the anamorphic lens into the operating position and return it to standby position. Either a 3.5-mm monaural mini-plug or 3.5-mm stereo mini-plug can be used.



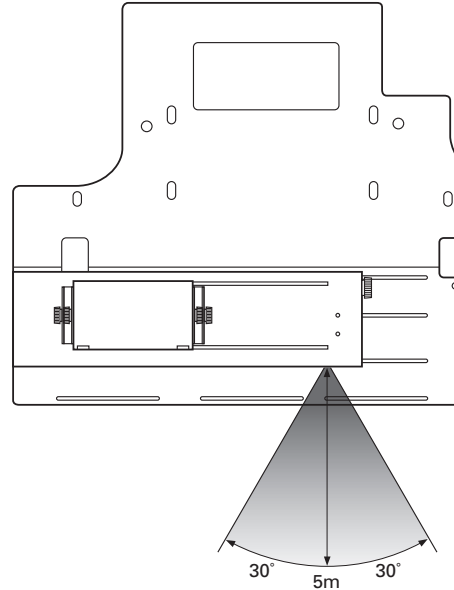
REMOTE CONTROL

A remote control is not packaged with this unit. This unit is controlled using the remote controller supplied with a VP-11 or VP-15 series projector.



OPERATING RANGE OF REMOTE CONTROLLER

The operating range for a remote controller and this unit is shown in the figure below.



Notes:

- Do not allow direct sunlight or strong light, such as from inverter fluorescent lighting, to strike the remote control receiver. The remote controller may become inoperational.
- Note that use of a remote controller may result in the unintended operation of other equipment controlled using infrared signals.
- The unit cannot be controlled remotely if there is an obstacle between the remote controller and the remote control receiver.
- Do not place objects on top of the remote controller. This may result in continuous depression of buttons, causing batteries to be consumed.

REMOTE CONTROL CODE

Not only is it possible to control this unit using the remote controller (AUX1 and AUX2) of a VP-11 series or VP-15 series projector, but it is also possible to control this unit using a programmable remote controller (such as an RC9001 or RC2001). Commands used to control this unit are given in the table on the right. For details, refer to page 5 under "ADVANCED OPERATION."

RC5 Command	Operation
00 56 15	Moves the anamorphic lens to the operating position.
00 62 01	Moves the anamorphic lens to the operating position.
00 56 20	Moves the anamorphic lens to the non-operating position.
00 62 02	Moves the anamorphic lens to the non-operating position.

CONTROLLING THE UNIT USING A REMOTE CONTROLLER

This unit can be controlled using a VP-11 or VP-15 series remote controller or programmable remote controller. Refer to Figure 4.

Press the AUX1 button on the VP-11 or VP-15 series remote controller and the anamorphic lens moves to the operating position (Refer to Figure 2). Press the AUX2 button on the VP-11 or VP-15 series remote controller and the anamorphic lens moves to the opposite end from the operating position (Refer to Figure 1).

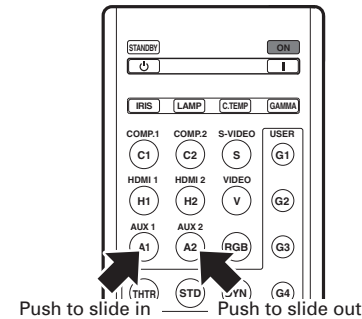


Figure 4

CLEANING

The anamorphic lens used with this unit is a specially coated, precision optical product.

If dust attaches to the lens surface, blow it off using a blower dedicated to cleaning camera lenses. For dirt attached to the lens, blow away dust attached to the lens surface using a blower, and gently wipe the lens using a soft cloth such as a cleaning cloth or cloth for cleaning eyeglasses. If the lens surface is noticeably dirty, wipe the dirt away using a soft cloth for cleaning lenses dampened with a cleaner for use with plastic lenses. Then, finish by wiping the lens in the same manner with a new, soft cloth. Take care because dirt may re-attach to the lens if the lens is polished using the same cloth used to wipe the dirt away.

Note:

Never use alcohol or benzene, thinner, acid/alkaline cleaning agents, cleaners including polishing agents, or chemically treated wiping cloth as they may damage the lens surface.

ADVANCED OPERATION

USING A PROGRAMMABLE REMOTE CONTROLLER

This unit can be controlled using a programmable remote controller (such as an RC9001 or RC2001). For commands used to control this unit, refer to the table at right. For details on programmable remote controllers, contact your Marantz dealer or Marantz Consumer Marketing.

RC5 Command	Operation
00 56 15	Moves the anamorphic lens to the operating position.
00 62 01	Moves the anamorphic lens to the operating position.
00 56 20	Moves the anamorphic lens to the non-operating position.
00 62 02	Moves the anamorphic lens to the non-operating position.

NOTES WHEN SIMULTANEOUSLY USING +12 V TRIGGER INPUT AND REMOTE CONTROLLER

This unit can be controlled using a +12V trigger input in combination with a remote controller. In this case, the very last control is prioritized.

Ex.1) A 12V DC signal is input to the +12V TRIGGER IN jack and the anamorphic lens moves to the operating position. If AUX2 on the remote controller is pressed at this time, the anamorphic lens moves to the opposite end from the operating position.

Ex.2) The anamorphic lens is moved to the operating position using the remote controller. Even though nothing happens even if a 12V DC signal is input to the +12V TRIGGER IN jack at this time, when the 12V DC signal being input to the +12V TRIGGER IN jack is cut off, the anamorphic lens moves to the opposite end of the operating position.

FIXING THE ANAMORPHIC LENS POSITION

This unit is controlled according to the last signal input. When a 12V DC signal from the projector is input to the +12V TRIGGER IN jack of the unit, if the projector's power is turned off and the 12V DC trigger signal is no longer input, the anamorphic lens moves to the opposite end from the operating position. To fix the anamorphic lens position, unplug the AC/DC adapter from the power outlet and stop the supply of power.

SETUP

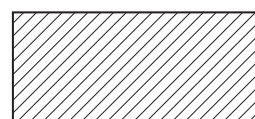
Mount and adjust the LN-11S1A according to the procedure described below.

Note:

The LN-11S1A enlarges projected images by approximately 1.3 times in the horizontal direction. When using the LN-11S1A in combination with a screen having a 2.35:1 aspect ratio, be sure to determine the installation location based on the screen size in the vertical direction. In addition, there is a possibility that the projected image may stick out beyond the left and right screen borders when using the LN-11S1A with a screen you already own. In this case, be sure to change the projector's zoom setting or its installation location. For details on the projector's installation location, refer to the user's guide included with your projector.

Ex.:

2.35:1 screen



Screen

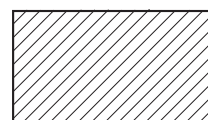


When using an anamorphic lens

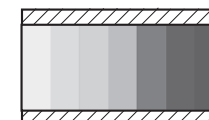


When not using an anamorphic lens

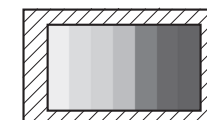
1.78:1 screen



Screen



When using an anamorphic lens



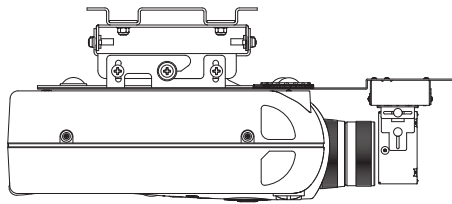
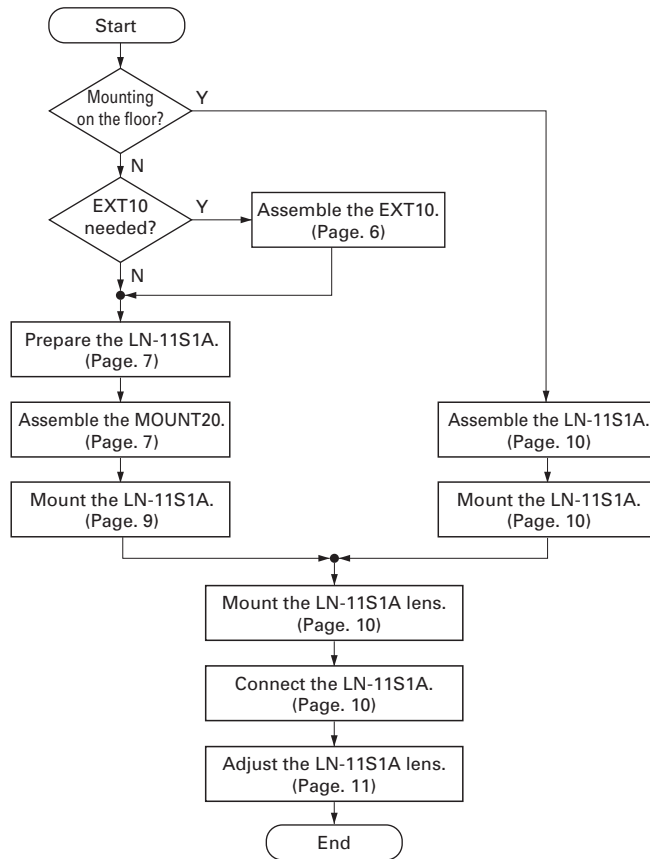
When not using an anamorphic lens

For an example of the Screen Size and Projection Distance VP-11S2, VP-15S1, refer to the page 12.

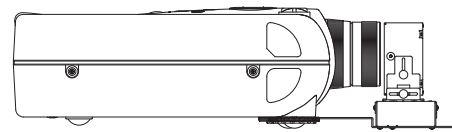
SETUP

SETUP PROCEDURE

Install the LN-11S1A according to the procedure outlined in the flowchart below.



ceiling mount



tabletop mount

Completion drawings

EXT10 ASSEMBLY

After reading the "Installation" Section of the VP-11/VP-15 User Guide and it has been determined the EXT10 Extension Pole will be needed to meet the requirements of location and ventilation for the Projector, assemble the EXT10 by performing the steps below. If the EXT10 will not be needed, proceed to LN-11S1A assembly given on page 7.

Note:

The EXT10 hardware, fasteners and parts list are located in a separate shipping carton from the projector.

1. The EXT10 is adjustable from 43-3/4 inches to 24 inches as supplied. If the default range is acceptable proceed to Step 3. The adjustable range may be changed to 24 inches to 14-5/8 inches by cutting both poles. When the installation requires the 24 inches to 14-5/8 inches range proceed to Step 2.
2. Cut the Outside Pole to 13-3/8 inches from the end the mounting plate will be attached. Cut the Inside Pole to 13-3/4 inches from the end the mounting plate will be attached. Refer to Figure 5.

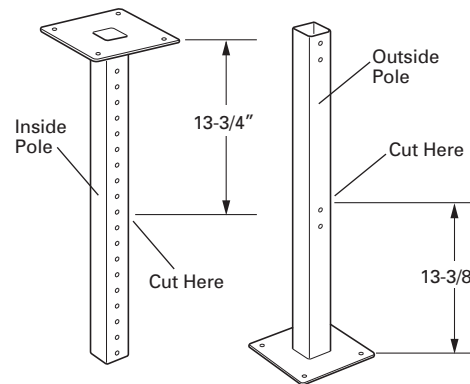


Figure 5

3. Assemble the Pole Pieces together making sure to orient them as illustrated in figure 3. Set the Pole Pieces to the desired length and secure the position using the two Round Head Philips 1/4-20 x 2-1/4 Screws and two 1/4-20 Lock Nuts. Refer to Figure 6.

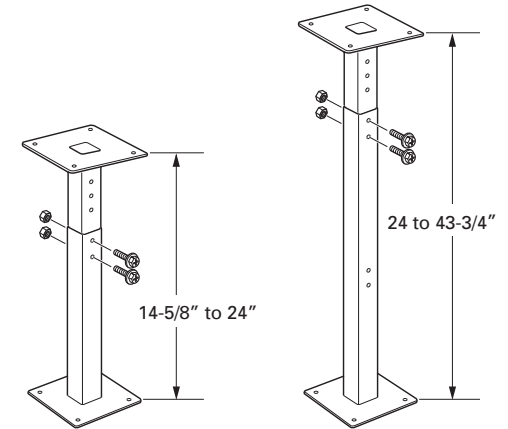


Figure 6

4. Tighten all the recently installed hardware and proceed to "PREPARING THE LN-11S1A".

PREPARING THE LN-11S1A

Assemble the anamorphic lens and lens slider using the supplied screws and washers.

Secure the projector to the base plate using the specified screws, and secure the lens slider with anamorphic lens attached to the base plate.

- Secure the lens slider to the base plate using the supplied machine screws (M3 x 8) in 6 locations. When attaching to a VP series projector, slide the lens slider to the end as shown in Figure 7 and secure in place.

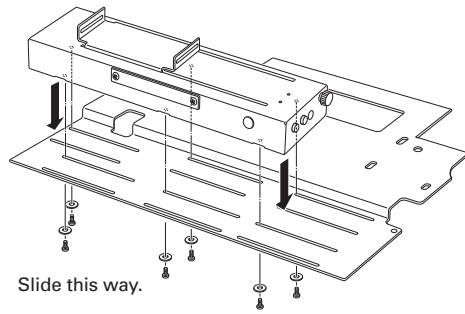


Figure 7

ASSEMBLING THE MOUNT20

Assemble the MOUNT20 by performing the steps below, refer to Figure 8:

MOUNT20 and LN-11S1A Mounting plates

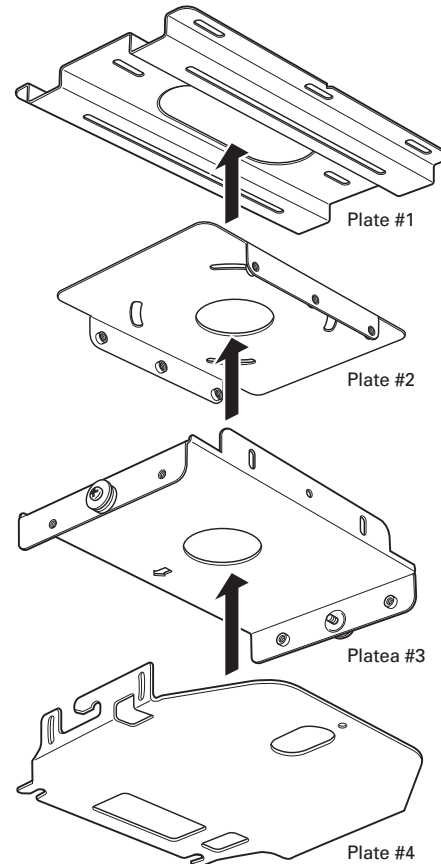
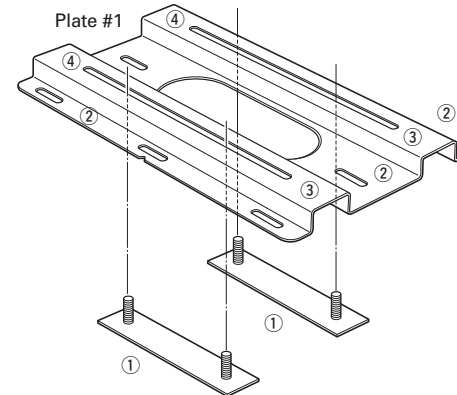


Figure 8

Note:

The MOUNT20 hardware, fasteners, mounting template and parts list are located in a separate shipping carton from the projector. Plate #4 will be used when installing the MOUNT20 with the projector.

- Insert Base Plate connectors ① into the lateral positioning slots ③ from the underside of Plate 1. The lateral positioning slots will give you 2-1/4 inches of lateral adjustment for projector alignment. Refer to Figure 9.



Base Plate Connectors ① Projector Mount Ceiling Plate #1

Figure 9

- Base plate connector holes ③ provide 15 degrees of horizontal rotation adjustment. Attach horizontal adjustment Plate #2 to the projector mount ceiling Plate #1 using the four (4) 5/16-18 inch nuts and washers provided. Refer to Figures 10 and Figure 11 on page 8.

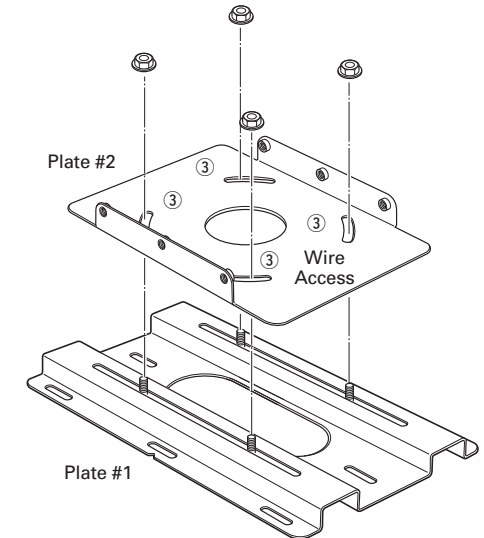


Figure 10

Note:

When the EXT10 Extension Pole will be used, attach the "Outside Pole" end to Plate #1 (instead of Plate #2) using four (4) 5/16-18 inch nuts and washers provided. Refer to Figure 12 on page 8.

SETUP

3. Install the combined Plates #1 and #2 (or Plate 1 with the EXT10) securely to the Building Structure following all of the Local Building/Construction Codes. Use suitable hardware in adequate quantity and size depending on the installation requirements.

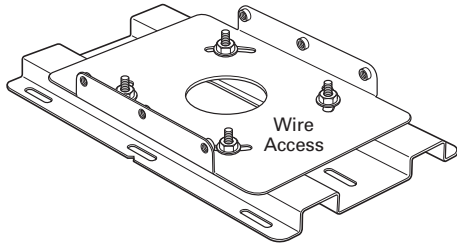


Figure 11

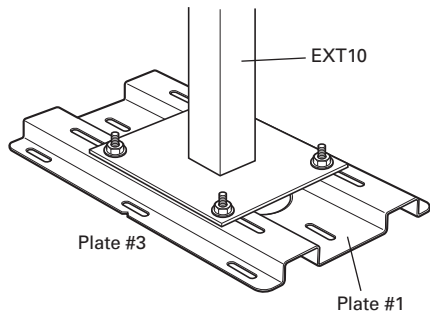


Figure 12

4. Attach the Horizontal Tilting Plate #3 to the previously combined plates (already installed on ceiling) using the 1/4-20 inch screws provided. Refer to Figures ?? and ??. Install two 1/4-20inch screws with rubber spacers and metal washers part way into the welded metal studs (indicated #1). The newly combined Plate 3 provides 10 degrees of horizontal tilt. After positioning the plate, loosely tighten the screws.

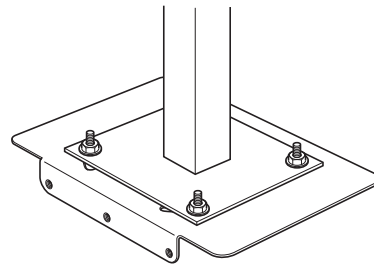


Figure 13

Note:

When the EXT10 Extension Pole will be used, attach the “Inner Pole” end to combined Plate #2 and #3 (instead of Plate #2) using four (4) 5/16-18 inch nuts and washers provided. Refer to Figure 13.

5. Tighten all the recently install hardware and proceed to install the LN-11S1A.

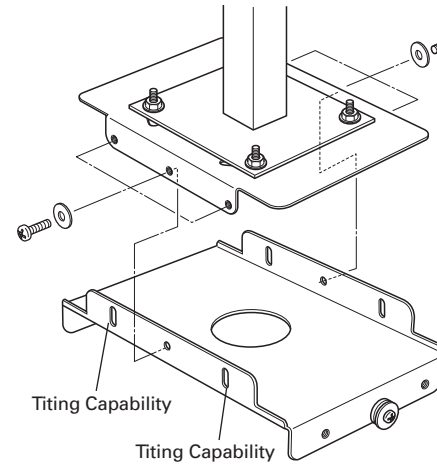


Figure 14

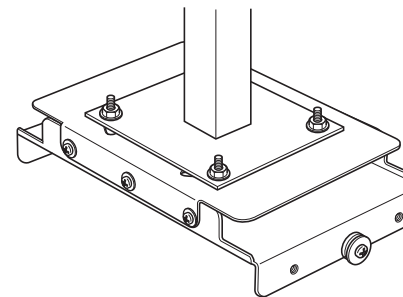


Figure 15

Caution:

The Projector together with the mounting brackets weighs 59 pounds (26.7kg).

MOUNTING THE LN-11S1A (ON THE CEILING)

Mount the assembled LN-11S1A and MOUNT20 to the projector. Refer to Figure 16.

Note:

Plate #4 supplied with the MOUNT20 is located in a separate shipping carton from the projector or LN-11S1A.

1. Spread a soft cloth on a stable, horizontal surface to protect against scratching, and carefully place the projector upside down on the cloth.

Align the mounting holes on the LN-11S1A base plate with the lens slider attached with the two ceiling mount kit mounting screw holes located on the lens side of the projector. Refer to Figures 16 and 17. Align one supplied 8-mm washer with the other ceiling mount kit mounting screw hole located on the projector unit. Gently place Plate #4, supplied with the MOUNT20, and attach securely at the two front locations using two M8x10 hexagonal head bolt supplied with the LN-11S1A and at the one rear location using one 8-mm screw supplied with the MOUNT20. Refer to Figure 17.

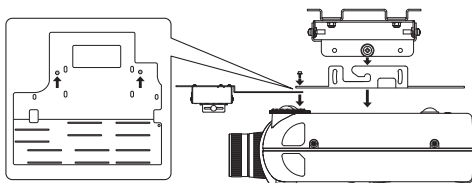


Figure 16

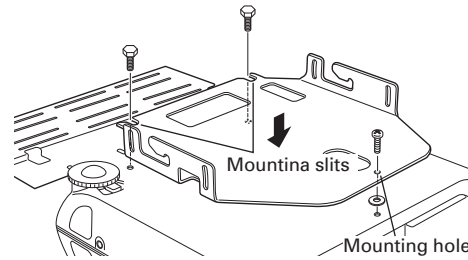


Figure 17

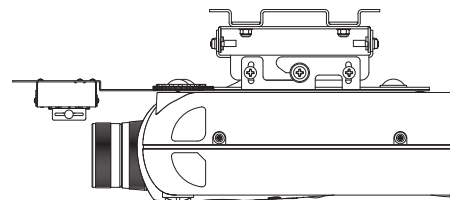


Figure 18

Notes:

- When the projector is combined with the ceiling mounting kit, the total weight is approximately 59 pounds (26.7kg). For safety, assembly should be performed by two or more people.
- Be sure to check the maximum weight that can be withstood by the ceiling before installation. Also, even if the weight that can be withstood is large enough, when installing in a location where people will pass directly below the projector, be sure to take measures against the projector from possibly falling through the use of wires or other means.

2. Lift and slide the projector onto the 1/4-20 inch screws previously installed in the metal studs of the plate on the ceiling (see arrow in Figure 19). Tighten the 1/4-20 inch screws on both sides of the mount and install two 6mm screws and washers into the side of the projector Mounting Plate 4. Refer to Figure 19.

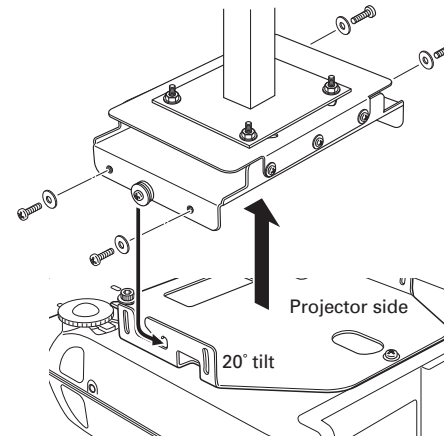


Figure 19

3. It is important to completely finish mounting the projector and making initial settings before mounting and adjusting the LN-11S1A anamorphic lens. Perform necessary procedures such as focus adjustment while referring to the projector's user's guide. Once the required projector settings have been made, proceed with lens mounting and adjustment.

SETUP

MOUNTING THE LN-11S1A (ON THE FLOOR)

Mount the assembled LN-11S1A to the projector. Refer to Figure 20.

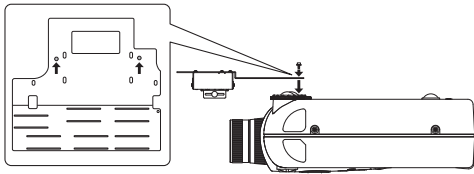


Figure 20

1. Spread a soft cloth on a stable, horizontal surface to protect against scratching, and carefully place the projector upside down on the cloth. Align the mounting holes on the LN-11S1A base plate with the lens slider attached with the two ceiling mount kit mounting screw holes located on the lens side of the projector. Refer to Figure 22. Attach securely using two M8x10 hexagonal set screws supplied with the LN-11S1A. Refer to Figure 21.

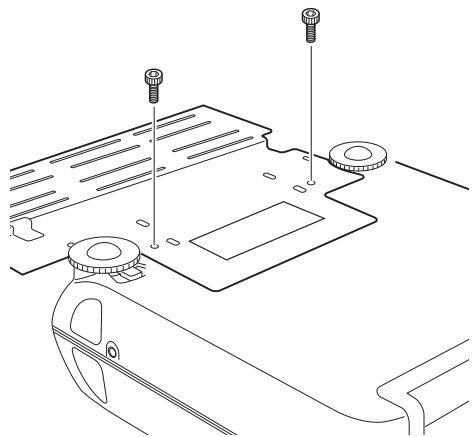


Figure 21

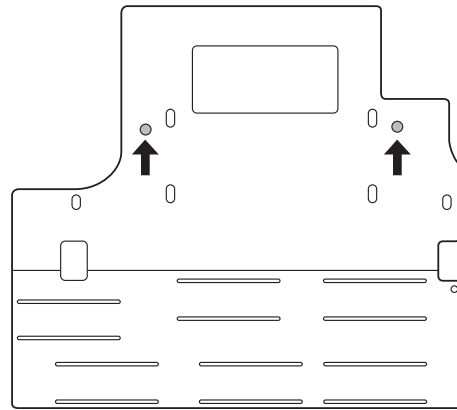


Figure 22

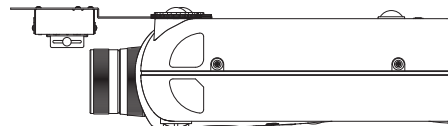


Figure 23

2. It is important to completely finish mounting the projector and making initial settings before mounting and adjusting the LN-11S1A anamorphic lens. Perform necessary procedures such as focus adjustment while referring to the projector's user's guide. Once the required projector settings have been made, proceed with lens mounting and adjustment.

MOUNTING THE LN-11S1A LENS

Mount the lens to the projector, whose operations have already been confirmed, according to the procedure given below.

1. Attach the anamorphic lens unit to the main unit at two locations by passing the supplied decorative screws (M3 x 8) through the spring washers and flat washers. Refer to Figure 24 and 25. When mounting the lens unit, be sure to mount it so that the anamorphic lens unit does not strike the projector lens when in the operating position.

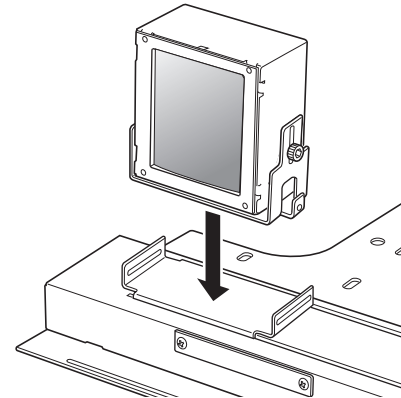


Figure 24

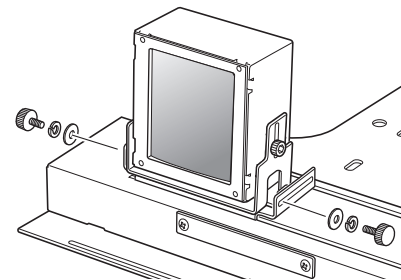


Figure 25

CONNECTING THE LN-11S1A

Connect the LN-11S1A to a power supply and the projector.

1. Install the AC/DC adapter and attach the AC cable to the AC/DC adapter. Refer to Figure 26. During use, always use the supplied AC/DC adapter. Never use an AC/DC adapter other than that supplied as it may result in an accident or damage to the equipment.

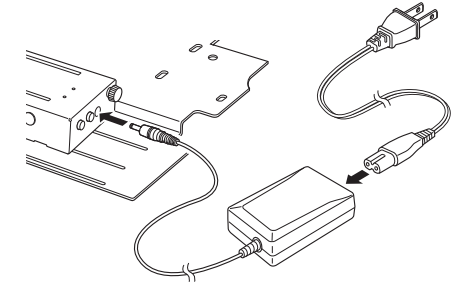


Figure 26

Note:

Three types of AC cable are supplied with this unit. Use the AC cable appropriate for the region in which the unit will be used.

2. Connect the TRIG. 2 output jack on the VP11 or VP15 series projector to the +12 V TRIGGER IN jack located on the lens slider.
3. Plug the AC cable into a power outlet.
4. Connect the AC/DC adapter's output plug to the +5 V DC jack on the lens slider. When power is supplied to the LN-11S1A, the POWER ON indicator will light blue.

ADJUSTING THE LN-11S1A LENS

To adjust the LN-11S1A lens, an adjustment method that uses the remote controller included with a VP11 or VP15 series projector is described here. For details on the method of moving the anamorphic lens, refer to "BASIC OPERATION" on page 3.

1. Before starting LN-11S1A lens adjustment, projector installation and initial settings must be completely finished. Be sure to complete initial settings and adjustment of the projector itself, while referring to the projector's user's guide. Turn on the projector's power and display the internally generated cross-hatch test pattern.
2. Aim the remote controller included with the VP11 or VP15 series projector at the remote control receiver of the lens slider and press the AUX1 button to move the anamorphic lens to the operating position. Check that the center of the LN-11S1A anamorphic lens in the horizontal direction is aligned with the center of the projector's lens in the horizontal direction. If the centers are not aligned, adjust by turning the screws shown in the figure to the right in the direction of the arrow. Refer to Figure 27.

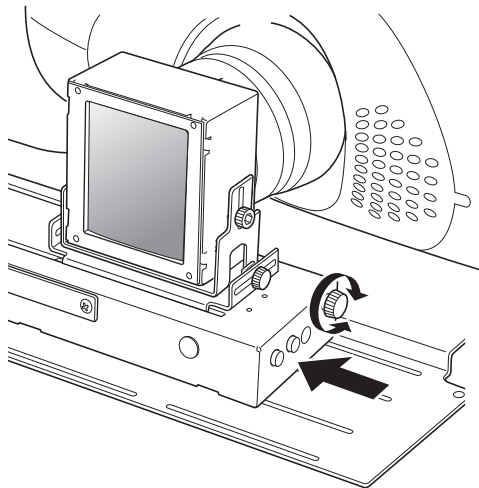


Figure 27

Note:

If the anamorphic lens and projector are not adjusted correctly, the test pattern being projected may be distorted.

You can easily align lens centers between your projector and LN-11S1A and adjust the tilt of LN-11S1A as well, if you mark a certain position at your screen as a guide to align.

Note:

When you mark the position, take care not to blemish your screen.

3. If the test pattern is distorted, adjust by loosening the screw on the side of the anamorphic lens so that the light being projected passes through the center of the anamorphic lens as much as possible. Refer to Figure 28.

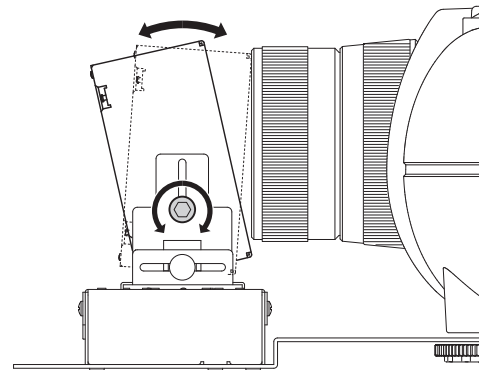


Figure 28

Note:

Never look directly into the lens. Always confirm positioning from the side of the lens.

At the same time, adjust the tilt of the anamorphic lens so that the outer edges of the test pattern are straight. After adjusting the height and tilt of the anamorphic lens, securely tighten any loosened screws.

4. In order to take full advantage of the performance of the anamorphic lens, it is important to keep the gap between the anamorphic lens and projector's lens as small as possible. Adjust the gap between the anamorphic lens and projector's lens by loosening the screw located on the lens slider. Refer to Figure 29. After adjustment, securely tighten the loosened screw.

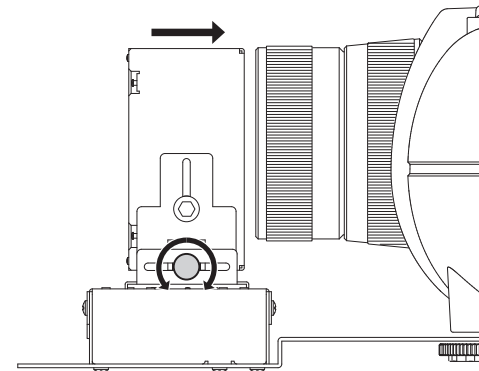


Figure 29

5. This is the final adjustment. Using a Phillips-head screwdriver, adjust the focus of the anamorphic lens so that the test pattern appears as sharp as possible. Refer to Figure 30.

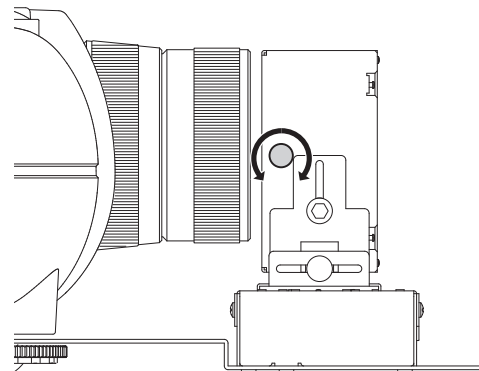


Figure 30

TROUBLESHOOTING

Before requesting repairs, check the following items.

1. Are the connections among each of the devices the same as given under "BASIC OPERATION" (Page. 3).
2. Are operations being performed correctly according to information given in "BASIC OPERATION" (Page. 3)

If the unit is not functioning properly, check the items given in the table below.

If the unit still does not function properly even after checking the items below and trying the suggested solutions, there may be an internal malfunction in the equipment. Immediately unplug the AC/DC adapter from the power outlet and contact the store where you purchased the product, your nearest Marantz Consumer Marketing sales office, a Customer Consultation Center, or Marantz Service Center.

Symptom	Possible Cause	Remedy
The power does not turn on.	<ul style="list-style-type: none"> • Has the power cable of the AC/DC adapter become disconnected? • Has the output plug of the AC/DC adapter become disconnected from the DC jack? 	Page. 3 or Page. 10
The POWER ON indicator does not light.	<ul style="list-style-type: none"> • Has the power cable of the AC/DC adapter become disconnected? • Has the output plug of the AC/DC adapter become disconnected from the DC jack? 	Page. 3 or Page. 10
The unit does not move according to the trigger input signal.	<ul style="list-style-type: none"> • Has the trigger cable become disconnected? • Does the trigger cable have the wrong specifications? 	Page. 3 Page. 4
The TRIGGER indicator does not light.	<ul style="list-style-type: none"> • Has the trigger cable become disconnected? • Does the trigger cable have the wrong specifications? 	Page. 3 Page. 4
The remote control signal is not being received.	<ul style="list-style-type: none"> • Are the batteries used up? • Are batteries installed with the polarity reversed? • Are buttons on the TV or video remote controller being depressed? <p>Remote control signals may not be received properly if buttons on the TV or video remote controller are being depressed.</p> <ul style="list-style-type: none"> • Is the remote control receiver on the lens slider hidden? • Is there fluorescent lighting near the remote control receiver on the lens slider? 	Insert new batteries according to the procedure described in the remote controller's user's guide. Page. 4 Page. 4
The image is out of focus.	<ul style="list-style-type: none"> • Is the focus of either the projector or anamorphic lens out of adjustment? 	Page. 11
There are large distortions on the screen.	<ul style="list-style-type: none"> • Is the anamorphic lens out of adjustment? 	Page. 11
There is a shadow on part of the screen.	<ul style="list-style-type: none"> • Is the lens dirty? • Is the anamorphic lens out of adjustment? 	Page. 4 Page. 11

OTHERS

PROJECTION DISTANCE CHART FOR VP-11 AND VP-15 PROJECTORS

Screen Size and Projection Distance with VP-11 or VP-15

Screen Size and Projection Distance (inch)

2.35:1 Screen size			Middle lens		Long lens	
Height	Width	Diagonal	Minimum	Maximum	Minimum	Maximum
inch	inch	inch	inch	inch	inch	inch
39	91 5/8	100	100 4/8	146 5/8		
41	96 3/8	105	105 6/8	154 2/8	153 5/8	232 3/8
49	115 1/8	125	126 6/8	184 6/8	184 1/8	278 2/8
57	134	146	147 6/8	215 2/8	214 5/8	324 1/8
65	152 6/8	166	168 7/8	245 6/8	245 1/8	369 7/8
73	171 4/8	186	189 7/8	276 2/8	275 5/8	415 6/8
81	190 3/8	207	210 7/8	306 6/8	306	461 5/8
89	209 1/8	227	232	337 1/8	336 4/8	507 3/8
97	228	248	253	367 5/8	367	553 2/8

Eq. 1 Eq. 2 Eq. 3 Eq. 4

Eq. 1 Minimum = 2.63 x ScreenHeight - 2.10

Eq. 3 Minimum = 3.81 x ScreenHeight - 2.55

Eq. 2 Maximum = 3.81 x ScreenHeight - 1.92

Eq. 4 Maximum = 5.73 x ScreenHeight - 2.54

Screen Size and Projection Distance (mm)

2.35:1 Screen size			Middle lens		Long lens		
Height	Width	Diagonal	Diagonal	Minimum	Maximum	Minimum	Maximum
mm	mm	mm	inch	mm	mm	mm	mm
991	2,329	2,531	100	2,553	3,727		
1,040	2,444	2,656	105	2,682	3,914	3,898	5,895
1,240	2,914	3,167	125	3,208	4,676	4,660	7,041
1,440	3,384	3,678	145	3,734	5,438	5,422	8,187
1,640	3,854	4,188	165	4,260	6,200	6,184	9,333
1,840	4,324	4,699	185	4,786	6,962	6,946	10,479
2,040	4,794	5,210	205	5,312	7,724	7,708	11,625
2,240	5,264	5,721	225	5,838	8,486	8,470	12,771
2,440	5,734	6,232	245	6,364	9,248	9,232	13,917

Eq. 5 Eq. 6 Eq. 7 Eq. 8

Eq. 5 Minimum = 2.63 x ScreenHeight - 53.4

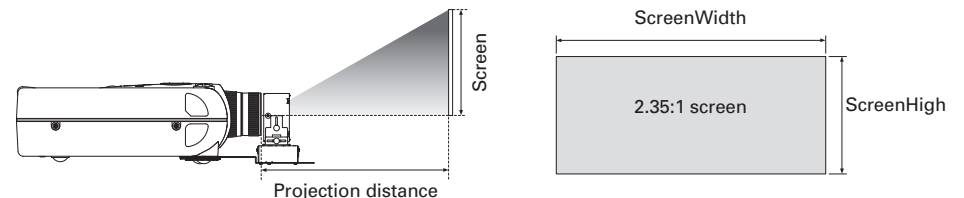
Eq. 7 Minimum = 3.81 x ScreenHeight - 64.8

Eq. 6 Maximum = 3.81 x ScreenHeight - 48.8

Eq. 8 Maximum = 5.73 x ScreenHeight - 64.4

Note:

When installing the projector, consider ±10% tolerance for the Projection Distance in the above table

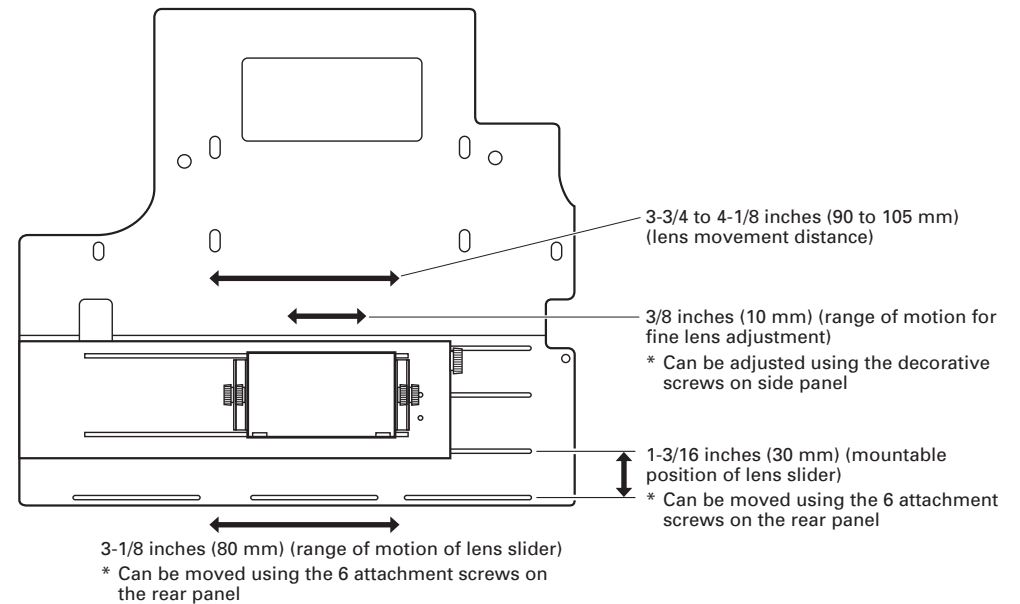


SPECIFICATIONS & DIMENSIONS

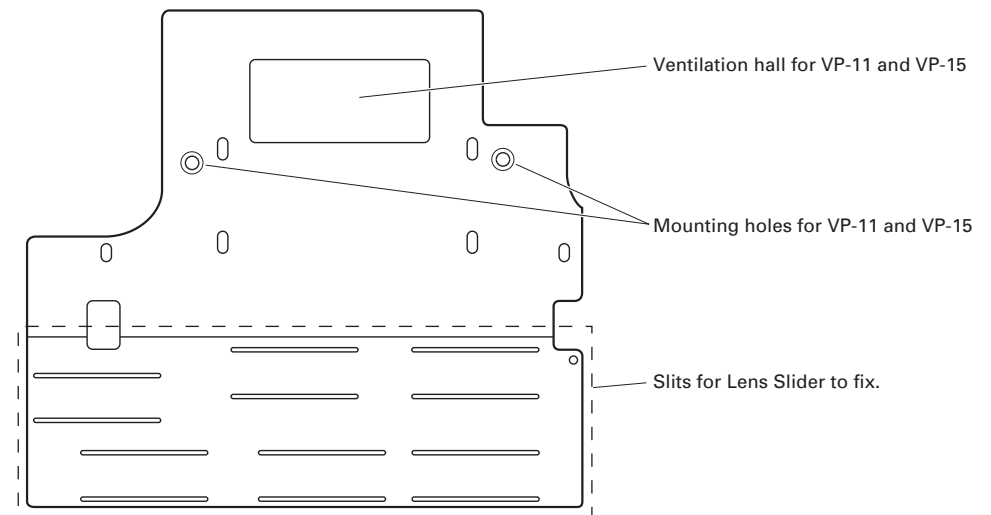
MAIN UNIT

Terminals	Trigger input	3.5 mm diameter monaural mini-jack Input resistance, approx 20k Ohms 1 system
	Trigger output	3.5 mm diameter monaural mini-jack Direct connection to trigger input 1 system (Max. 350 mA)
Power supply	5 V DC input (special AC/DC adapter)	
Maximum External Dimensions	Width:	14-5/16 inches (363 mm)
	Depth:	12-13/16 inches (325.5 mm)
	Height:	6-1/4 inches (159 mm)
Weight	6 pounds (2.7 kg)	
Operating temperature	41 to 95 °F (5 to 35 °C)	
Storage temperature	-4 to 140 °F (-20 to 60 °C)	
Power consumption	0.2 W (standby)	
Supplied AC/DC adapter	Input:	100 V AC to 240 V AC (50 Hz/60 Hz)
	Output:	5 V DC at 1.5 A

RANGE OF MOTION DIAGRAM



DESCRIPTION OF BASE PLATE HOLES



www.marantz.com

You can find your nearest authorized distributor or dealer on our website.

marantz[®] is a registered trademark.

